

MH-1077 SERIES LIGHT DUTY RESIDENTIAL DOOR CLOSER

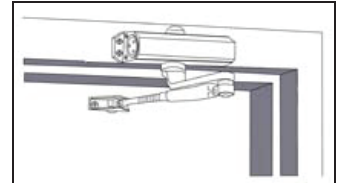
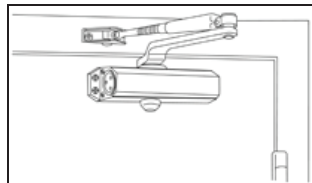


STANDARD FEATURES

- UL and CUL listed,
- ANSI A 156.4 grade 3
- Size 2,3,4 by template movement
- Non handed
- Standard sweep and latching
- **Standard Bi-packed for regular arm and top Jamb;**
- Standard Finish: Aluminum (AL); Duronodic (DU)
- 3 years warranty

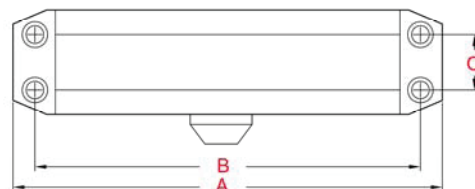


CONFORMS TO STANDARDS
UL IOC AND UBC 7-2 (1997)

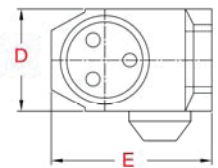


TECHNICAL DIMENSIONS.

Description	Dimensions
A. Length of Closer Body	7-1/8" (181 mm)
B. Horizontal Mounting Holes	6-1/2" (165 mm)
C. Vertical Mounting Holes	3/4" (19 mm)
D. Closer Body Height	1-5/8" (41 mm)
E. Projection from Door	2 -15/32" (63 mm)



FRONT VIEW



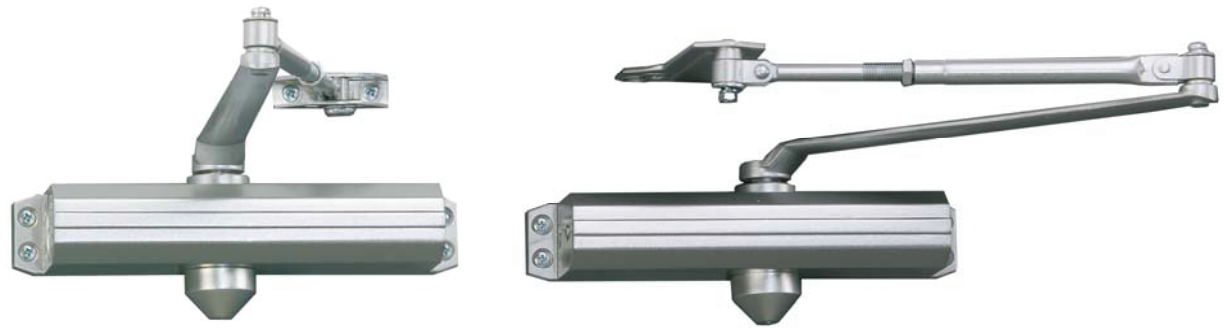
END VIEW

SELECTION CHART

Model	Power Size	Applicable Door Weight Lbs (Kg)	Remarks
MH-1077	2,3,4	66-187 lbs (30-85 kg)	For residential use only

DOOR CLOSERS

MH-2431 SERIES DOOR CLOSER MEDIUM DUTY RESIDENTIAL & COMMERCIAL USE

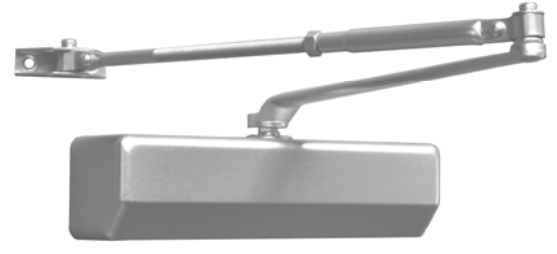


STANDARD FEATURES

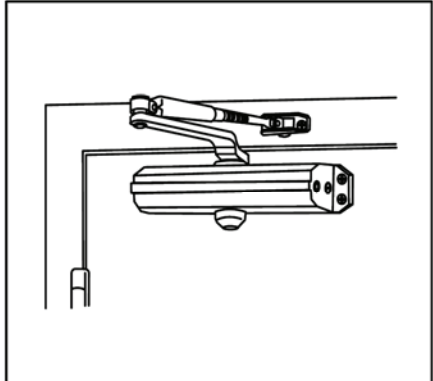
- UL and CUL listed; UL 10C fire rated
- Factory tested to meet or Exceed ANSI A 156.4 Grade 1
- Non-sized adjustable 1 thought 6
- Cast aluminum body ;forged steel arm
- Standard sweep and latching speed
- Standard adjustable backcheck and Full plastic Cover
- Standard Tri-packed for regular arm, top jamb and parallel arm application
- Standard self tapping and drilling screws, Sex Nuts
- Finish: Aluminum(AL); Durododic (DU)
- 5 years limited warrany
- Cross reference: Norton 1600 Or 1601 Series

OPTIONAL FEATURES

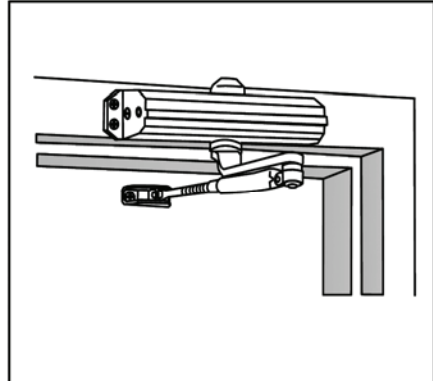
- Drop Plates



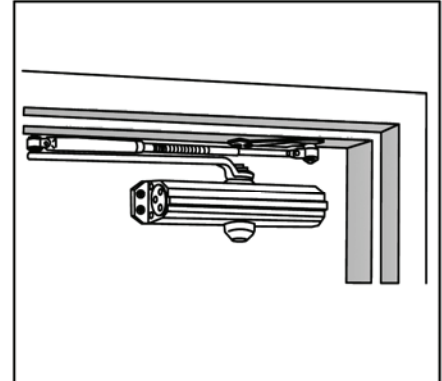
Full Plastic Cover



Regular arm –Pull Side



Top Jamb -Push Side



Parallel arm-Push Side

DOOR CLOSERS

TECHNICAL DIMENSIONS.

Description	Dimensions		
A. Length of Closer Body	9-3/4" (248 mm)		
B. Horizontal Mounting Holes	9-1/16" (230 mm)		
C. Vertical Mounting Holes	3/4" (19 mm)		
D. Closer Body Height	1-13/16" (46 mm)		
E. Projection from Door	2-3/4" (70 mm)		

SELECTION CHART

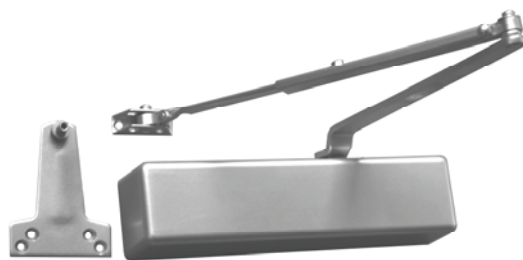
Model	Size	Remarks
MH-2431xCOV	1 to 6	With Stanard Arm and P.A bracket, Sex Nuts ,BC, Plastic Coever
MH-2431-HXCOV	1 to 6	With Standard Friction Hold Open arm and P.A barcket ,Sex Nuts, BC, Plastic Coever

Regular & Top Jamb				Parallel Arm			Applicable Door Weight Lbs (Kg)
Closer Size	Interior	Exterior Inswing	Maximum Size of Door				
			Exterior outswinging	Closer Size	Interior	Exterior Outswinging	
1	28" (0.71m)			1			33-66 (15-30)
2	36" (0.91 m)			2	30" (0.76m)		66-99 (30-45)
3	42" (1.07 m)	30" (0.76m)	36" (0.91m)	3	36" (0.91m)	30" (0.76m)	99-143 (45-65)
4	48" (1.22 m)	36" (0.91m)	42" (1.07m)	4	42" (1.07m)	36" (0.91m)	143-187 (65-85)
5	54" (1.37 m)	42" (1.07m)	48" (1.22m)	5	48" (1.22m)	42" (1.07m)	178-264 (85-120)
6	60" (1.52 m)	48" (1.22m)	54" (1.37m)	6	54" (1.37m)	48" (1.22m)	264-330 (120-150)

OPTIONAL ACCESSORIES

Decription	Picture	How to order
3 1/2" Tall Drop Plate		Code: MH-2431-DPPA Available Finish: AL /DU/BZ/GLD
2 9/16" Tall Narrow Drop Plate		Code: MH-2431-DPRATJ Available Finish: AL /DU/BZ/GLD

MH-2461 SERIES HEAVY DUTY COMMERCIAL DOOR CLOSER



CONFORMS TO STANDARDS
UL IOC AND UBC 7-2 (1997)



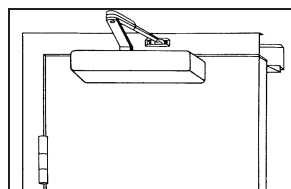
CROSS REFERENCE:
CAL-ROYAL 900 SERIES

STANDARD FEATURES

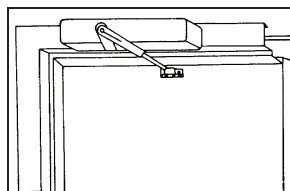
- UL and CUL listed; Factory tested to meet or Exceed ANSI A 156.4 Grade 1
- Barrier Free operation to comply (ADA):complying with ANSI A 117.1
- Non sized 1 through 6; Backcheck, Plastic Cover;Optional Delayed Action
- Cast aluminum body and non handed
- Standard sweep and latching speed
- Standard Tri-packed for regular arm, top jamb and parallel arm application
- Standard self tapping and drilling screws, Sex Nuts
- Standard Finish:Aluminum(AL); Durododic (DU)
- 10 years warranty

OPTIONAL FEATURES

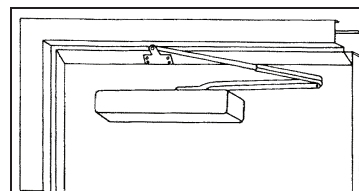
- Drop plate
- Metal Cover (US3 Polished Brass, US26 Polished Chrome)



Regular arm-Pull Side



Top Jamb-Push Side



Parallel arm-Push Side

DOOR CLOSERS

TECHNICAL DIMENSIONS.

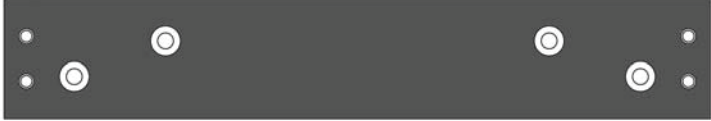




Description	Dimensions	
A. Length of Closer Body	11-7/8 " (302 mm)	
B. Horizontal Mounting Holes	11-1/8 " (282.5 mm)	
C. Vertical Mounting Holes	3/4" (19mm)	
D. Closer Body Height	2 " (51mm)	
E. Projection from Door	2-3/8 " (60mm)	

SELECTION CHART

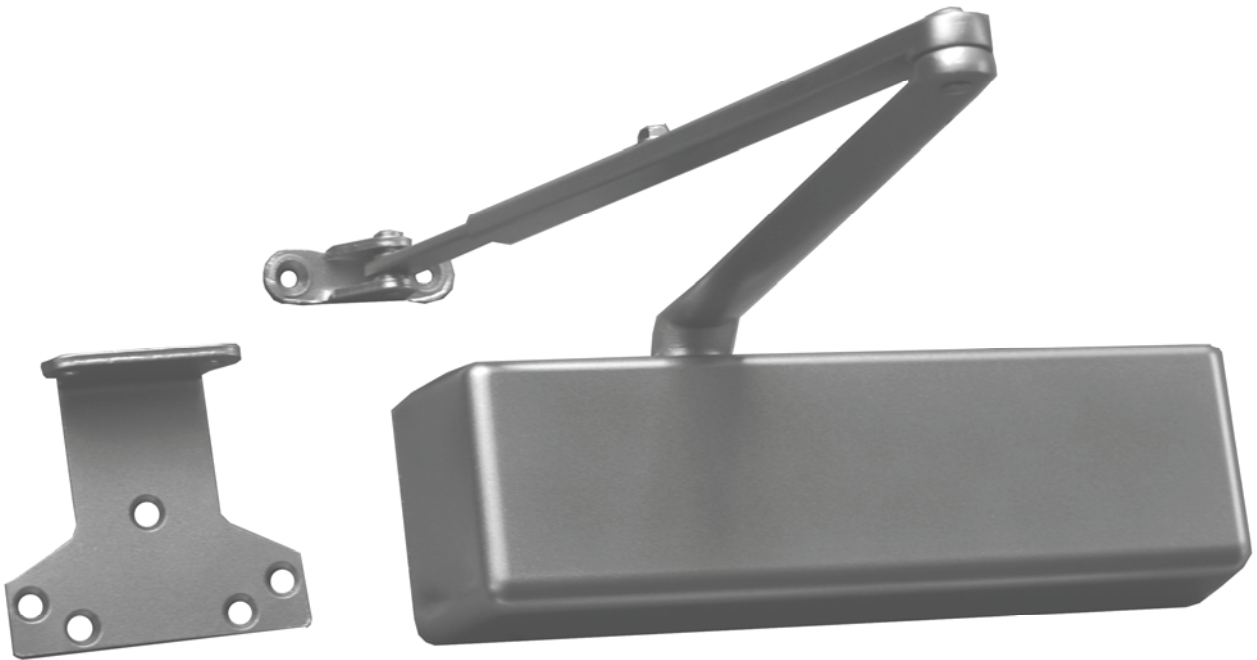
Model	Size	Remarks
MH-2461xCOV	1-6	With Standard Arm, Plastic Cover, BC, Sex Nuts
MH-2461DELxCOV	1-6	With Standard Arm, Plastic Cover, BC, DELAYED ACTION, Sex Nuts
MH-2461CUSHxCOV	1-6	With Standard Cush Stop Arm, Plastic Cover, BC, Sex Nuts

Regular & Top Jamb				Parallel Arm			Applicable Door Weight Lbs (Kg)
Closer Size	Interior	Maximum Size of Door		Closer Size	Interior	Exterior Outswinging	
		Exterior Inswing	Exterior outswinging				
1	28" (0.71m)			1			33-66 (15-30)
2	36" (0.91 m)			2	30"(0.76m)		66-99 (30-45)
3	42"(1.07 m)	30" (0.76m)	36"(0.91m)	3	36" (0.91m)	30"(0.76m)	99-143(45-65)
4	48"(1.22 m)	36"(0.91m)	42" (1.07m)	4	42"(1.07m)	36"(0.91m)	143-187(65-85)
5	54" (1.37 m)	42"(1.07m)	48" (1.22m)	5	48"(1.22m)	42"(1.07m)	178-264(85-120)
6	60"(1.52 m)	48"(1.22m)	54" (1.37m)	6	54"(1.37m)	48"(1.22m)	264-330(120-150)

OPTIONAL ACCESSORIES

Decription	Picture	How to order
Regular or Top Jamb Narrow Drop Plate (2 " Tall)		Code: MH-2461-DP2 Available Finish: AL /DU
Parallel Arm Drop Plate (3 9/16 " Tall)		Code: MH-2461-DP2PA Available Finish: AL /DUD
Friction type-Hold open arm and P.A.B		Code: MH-2461-FHO Available Finish: AL /DU/BZ/GLD
Cush Stop Hold Open Arm		Code: MH-2461-CSHO Available Finish: AL /DU/BZ/GLD
Metal Cover		Code: MH-2461-C-US3 (Polished Brass) Code: MH-2461-C-US26 (Polished Chrome)

MH-5041 SERIES HEAVY DUTY COMMERCIAL DOOR CLOSER



CONFORMS TO STANDARDS
UL 10C AND UBC 7-2 (1997)

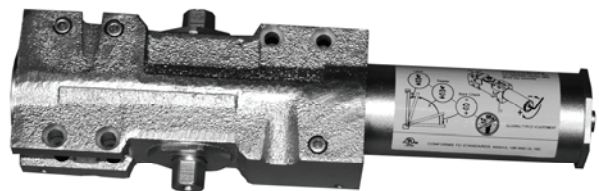


STANDARD FEATURES

- ANSI A 156.4 grade 1 certified.
- UL and CUL listed; UL 10C fire rated.
- Barrier Free operation to comply with Federal Accessibility Standards (ADA)
- Cast Iron body; forged steel arm
- Non-sized 1 through 6..
- Standard sweep and latching speed,
- Standard Backcheck and Full plastic cover
- Standard Tri-packed for regular arm, top jamb and parallel arm application
- Standard packing including Sex Nuts And Bolts
- Standard Finish: Aluminum (AL); Durodonic (DU), 10 years limited warranty
- Cross reference: LCN 4041

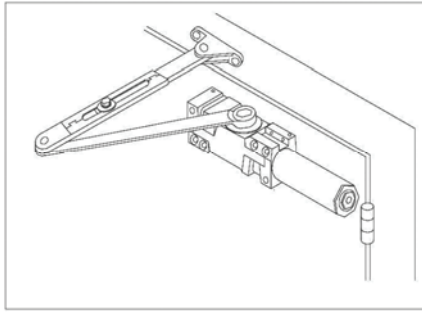
OPTIONAL FEATURES

- Drop Plates

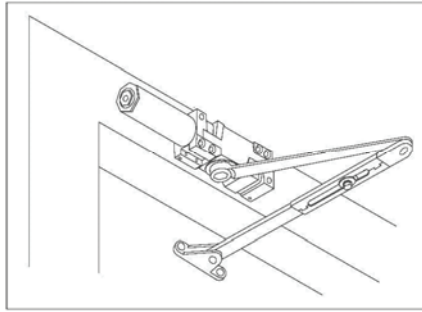


CAST IRON BODY

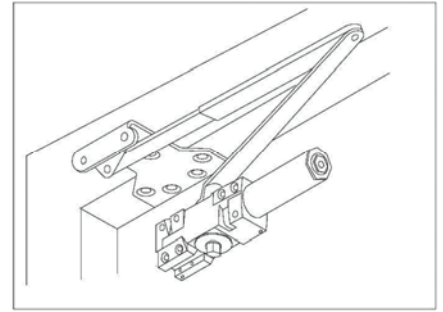
DOOR CLOSERS



Regular arm -Pull Side



Top Jamb -Push Side



Parallel arm -Push Side

TECHNICAL DIMENSIONS.

Description	Dimensions		
A. Length of Closer Body	11 " (280 mm)	<p>END VIEW</p> <p>FRONT VIEW</p>	
B. Horizontal Mounting Holes	1 " (25.4 mm)		
C. Vertical Mounting Holes	2/1/4 " (57 mm)		
D. Closer Body Height	2-3/4" (70 mm)		
E. Projection from Door	2" (51 mm)		

SELECTION CHART

Model	Size	Remarks
MH-5041xCOV	1-6	With Standard Arm, Full plastic Cover, BC
MH-5041-CUSHxCOV	1-6	With Cush Stop Arm, Full plastic Cover, BC

DOOR CLOSERS

MH-5041-H.CUSHxCOV	1-6	With Cush Stop Hold open Arm, Full plastic Cover, BC

Regular & Top Jamb				Parallel Arm			Applicable Door Weight Lbs (Kg)
Closer Size	Interior	Maximum Size of Door		Closer Size	Interior	Exterior Outswinging	
		Exterior Inswing	Exterior outswinging				
1	28" (0.71m)			1			33-66 (15-30)
2	36" (0.91 m)			2	30"(0.76m)		66-99 (30-45)
3	42"(1.07 m)	30" (0.76m)	36"(0.91m)	3	36" (0.91m)	30"(0.76m)	99-143(45-65)
4	48"(1.22 m)	36"(0.91m)	42" (1.07m)	4	42"(1.07m)	36"(0.91m)	143-187(65-85)
5	54" (1.37 m)	42"(1.07m)	48" (1.22m)	5	48"(1.22m)	42"(1.07m)	187-264(85-120)
6	60"(1.52 m)	48"(1.22m)	54" (1.37m)	6	54"(1.37m)	48"(1.22m)	264-330(120-150)

OPTIONAL ACCESSORIES

Decription	Picture	How to order
Drop plate-Regular arm Mount Required for hinge side mount when top rail is less than 3 3/4" Plate require 2" minimum top rail		Code: MH-5041-DP Available Finish: AL /DU
Drop plate-Low Clearance For use when ceiling clearance prevents normal top jamb mounting For use when overhead door holder prevents normal top jamb mounting		Code: MH-5041-DP G Available Finish: AL /DU
Drop late-top jamb mount Required for top jamb when frame face is less than 3 1/2" (89mm) Plate require 1 3/4" minimum frame face For use with plastic cover		Code: MH-5041-DP TJ Available Finish: AL /DU
Drop plate-Parallel arm mount Required for parallel arm when top rail is less than 5 1/2", measured from the stop Plate require 2" minimum top rail		Code: MH-5041-DP PA Available Finish: AL /DU

DOOR CLOSERS

<p>Friction type-Hold open arm.</p>		<p>Code: MH-5041-FHO Available Finish: AL /DU</p>
<p>Blade Stop Spacer</p>		<p>Code: MH-5041-BSS Available Finish: AL /DU</p>
<p>Cush Shoe Support</p>		<p>Code: MH-5041-CSS Available Finish: AL /DU</p>
<p>Extended Long rod and Shoe</p>		<p>Code: MH-5041-ELRS Available Finish: AL /DU</p>