

TOUCH BAR EXIT DEVICES

TOUCH BAR

MH 4848F

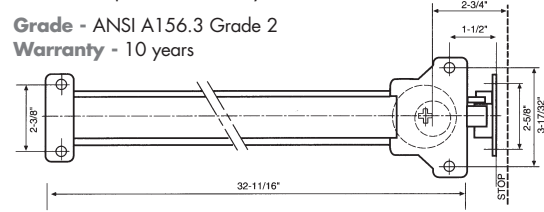


Specifications

- MATERIAL: Extruded anodized aluminum push bar, stainless steel springs
- LATCH: Stainless Steel, 3/4" throw - 5/8" deadlatch
- BACKSET: 23/4" Covers 161 prep, includes latch & strike filler plates
- STRIKE: Surface mounted for 5/8" stop with shim
- PROJECTION: 2 1/2" - 17/8" dogged
- STILE: 4 1/4" minimum
- HANDING: Reversible, non-handed
- DOOR THICKNESS: 1 3/4" standard
- DOOR WIDTH: 36", can be field sized to 30" (48" available)
- MOUNTING HEIGHT: Recommended installation at 41" from finished floor to center line of push rail
- FASTENERS: Furnished with sheet metal and machine screws
- CYLINDER: Accepts all key trims cylinder
- DOGGING: 1/2 turn hex key
- FIRE RATED: Available - please specify 🔥
- FINISHES: Aluminum, Durotonic, and Stainless Steel

Morgan Hardware Series MH 4848F "touch bar" style exit devices are suitable for all doors (aluminum, hollow metal, or wood) where there is no projection on the face. Manufactured of extruded anodized aluminum, the MF 4848F is durable enough for the most demanding applications. A rim cylinder is not included, and the MH 4848SP can also be used in conjunction with any of the exit device trims listed below.

Grade - ANSI A156.3 Grade 2
Warranty - 10 years

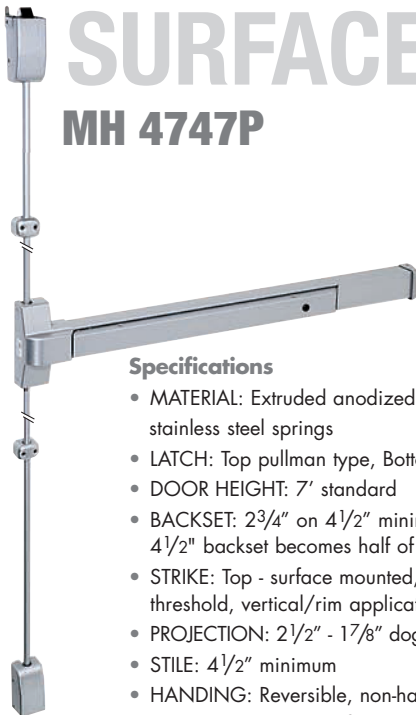


Exit Device Trims



SURFACE VERTICAL ROD

MH 4747P



Specifications

- MATERIAL: Extruded anodized aluminum push bar, stainless steel springs
- LATCH: Top pullman type, Bottom bolt assembly
- DOOR HEIGHT: 7' standard
- BACKSET: 23/4" on 4 1/2" minimum stile width - if less than 4 1/2" backset becomes half of the exposed stile width
- STRIKE: Top - surface mounted, Bottom - flat mortise or into threshold, vertical/rim application use DBLST double dr. strike
- PROJECTION: 2 1/2" - 17/8" dogged
- STILE: 4 1/2" minimum
- HANDING: Reversible, non-handed
- DOOR THICKNESS: 1 3/4" standard
- DOOR WIDTH: 36", can be field sized to 30"
- MOUNTING HEIGHT: Recommended installation at 41" from finished floor to center line of push rail.
- FASTENERS: Furnished with sheet metal and machine screws
- CYLINDER: Accepts rim, all trims Schlage "C" keyway
- DOGGING: 1/2 turn hex key
- FIRE RATED: Available - please specify 🔥
- FINISHES: Aluminum, Durotonic, and Stainless Steel

Morgan Hardware Series MH 4747F Surface Vertical Rod panic device is the perfect choice for double doors without mullions. Reversible for right or left hand doors, they are ideal for new construction or renovations. Our MH 4747F panics can be used in conjunction with any of our exit device trims listed below.

Grade - ANSI A156.3 Grade 2
Warranty - 10 years

Exit Device Trims



*Entry trim accepts mortise cylinder, included
**To install cylinder on trim plate for 2 1/8" hole use mounting sleeve